



DAD26

**Dual channel digital (AES/EBU) audio distribution
amplifier with 2x2 and 2x1 function**

A Synapse® product

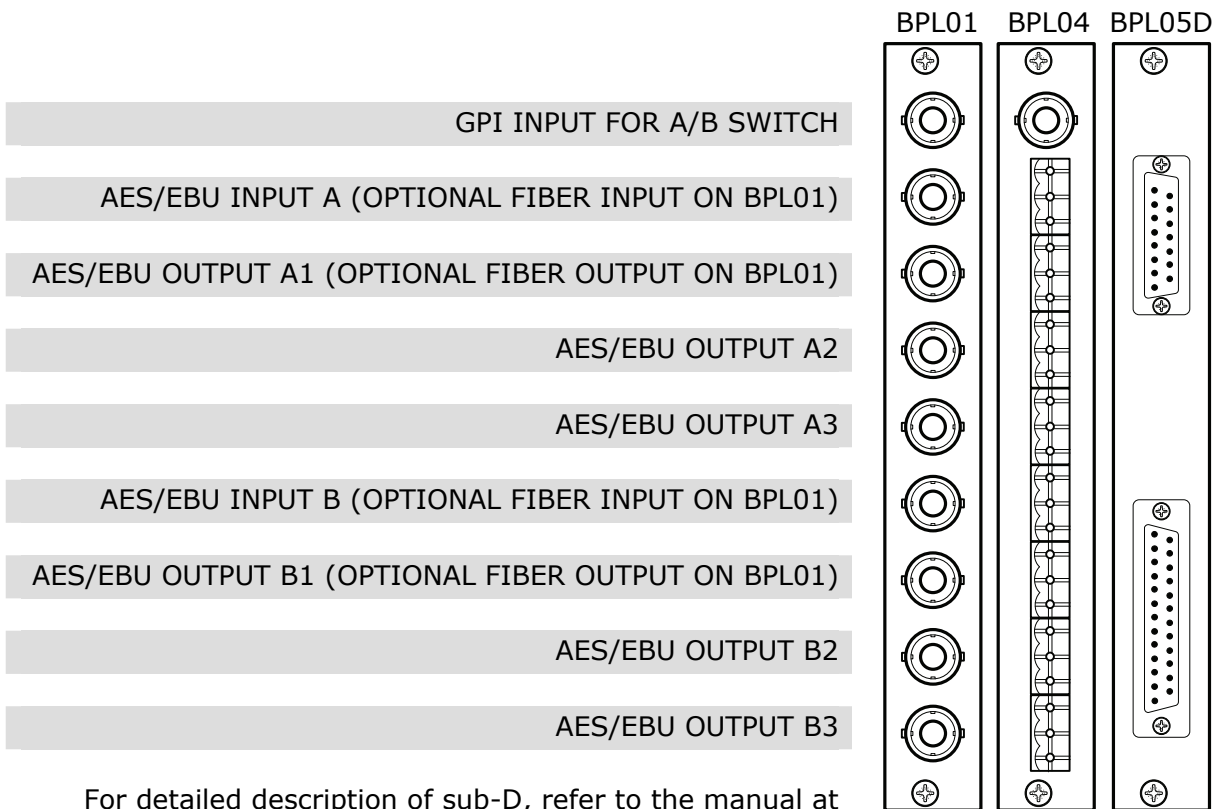
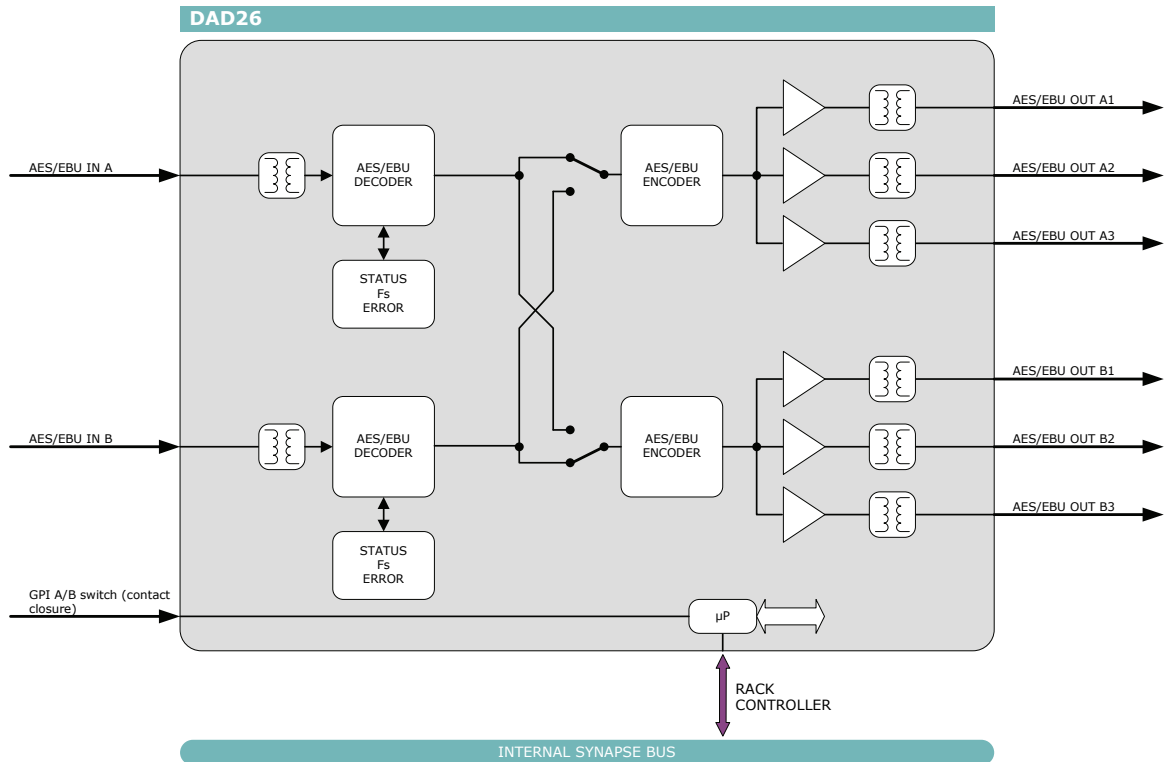
Synapse

COPYRIGHT ©2010 AXON DIGITAL DESIGN BV

ALL RIGHTS RESERVED

NO PART OF THIS DOCUMENT MAY BE REPRODUCED IN ANY FORM WITHOUT THE PERMISSION OF
AXON DIGITAL DESIGN BV.

Block schematic & I/O panel



For detailed description of sub-D, refer to the manual at www.axon.tv

Features

The DAD26 is a dual (AES/EBU) channel digital audio distribution amplifier. It has 2 individual inputs and two times three outputs. All outputs can be assigned to a single input making the device a 1 to 6 DA. A (GPI controlled) switch can be used to enable a 2x2 or 2x1 function. The DAD26 accept AES/EBU or SPDIF (Consumer Interface Format) digital audio input that is then reclocked, buffered and distributed to the dual 3 outputs. The DAD26 has transformer coupled balanced input and outputs and can be used with unbalanced I/O via the BPL01. Multiple regenerated independent low jitter outputs make the DAD26 ideal for the most demanding digital audio signal distribution requirements in both large and small audio and video facilities. Balanced or unbalanced use is automatically selected by use of the appropriate connector panel.

- 2 Inputs
- 2 x 3 Outputs
- 2x1 or 2x2 function (GPI, Ethernet, signal detection)
- Transformer coupled input
- Transformer coupled outputs
- 32 to 192 kHz compatibility
- Signal present indication
- Sample frequency indication
- Compatible with 110 Ohms and 75 Ohms environments
- Full control and status monitoring through the front panel of the SFR04/SFR08/SFR18 frame and the Ethernet port (ACP)
- Optional 1 or 2 fiber inputs (replacing 1 or 2 SDI inputs) or 1 or 2 fiber outputs (replacing 1 or 2 SDI outputs) on I/O panel

Applications

- Generic digital audio distribution
- AES/EBU back-up switching

Ordering information

Modules:

- **DAD26:** Dual channel Digital (AES/EBU) audio distribution amplifier with 2x2 and 2x1 function

Standard I/O:

- **BPL01_DAD26:** I/O panel for DAD26 with unbalanced AES/EBU in and unbalanced AES/EBU out.
- **BPL04_DAD26:** I/O panel for DAD26 with balanced AES/EBU in and balanced AES/EBU out.
- **BPL05D_DAD26:** I/O panel for DAD26 with balanced AES/EBU in and balanced AES/EBU out on sub-D

Fiber outputs:

- **BPL01T_FC/PC_DAD26:** I/O panel for DAD26 with fiber transmitter on FC/PC
- **BPL01T_SC_DAD26:** I/O panel for DAD26 with fiber transmitter on SC
- **BPL01T2_FC/PC_DAD26:** I/O panel for DAD26 with 2 fiber transmitters on FC/PC
- **BPL01T2_SC_DAD26:** I/O panel for DAD26 with 2 fiber transmitters on SC

Fiber inputs:

- **BPL01R_FC/PC_DAD26:** I/O panel for DAD26 with fiber receiver on FC/PC
- **BPL01R_SC_DAD26:** I/O panel for DAD26 with fiber receiver on SC
- **BPL01R2_FC/PC_DAD26:** I/O panel for DAD26 with 2 fiber receivers on FC/PC
- **BPL01R2_SC_DAD26:** I/O panel for DAD26 with 2 fiber receivers on SC

Specifications

AES Audio Input

Connector Standard	BNC, Screw terminal or female sub-D (balanced) AES-1992 for balanced synchronous or asynchronous PCM/AES, SMPTE 276M for single ended synchronous or asynchronous PCM/AES
Number of Inputs	2
Sampling Rate	32 kHz to 192 kHz
Resolution	24 bits
Minimum Input/Output Delay	4 samples
Impedance	110 Ohms or 75 Ohms
Level	0.2V to 1V nom for BNC, 2V to 7V for balanced operation

AES Audio Output

Number of Outputs	2x 3
Connector	BNC, Screw terminal or female sub-D (balanced)
Resolution	24 bits
Sampling Rate	Equal to input

Miscellaneous

Weight	Approx. 250g
Operating Temperature	0° C to + 50° C
Dimensions	137 x 296 x 20 mm (HxWxD)

Electrical

Voltage	+24V to +30V
Power	<3 Watts